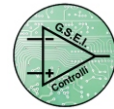


AR300 Regulated Power Supply 3Amp.

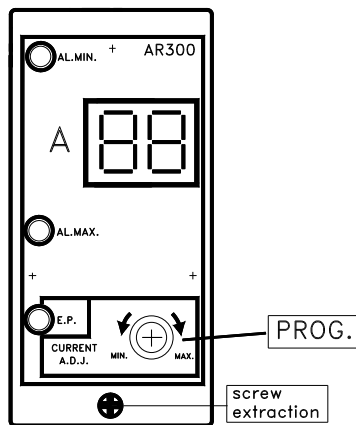


G.S.E.I. Controlli
Elettronica
Industriale

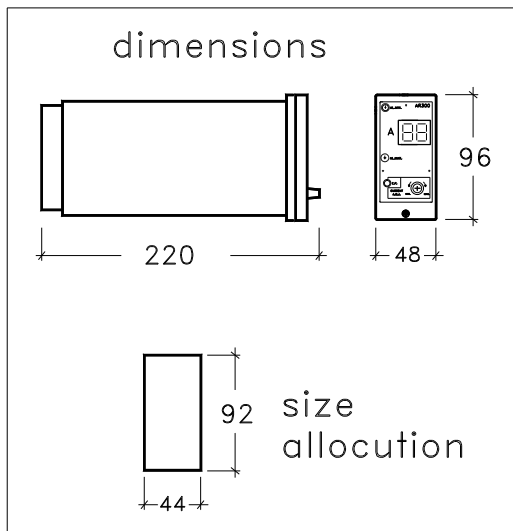
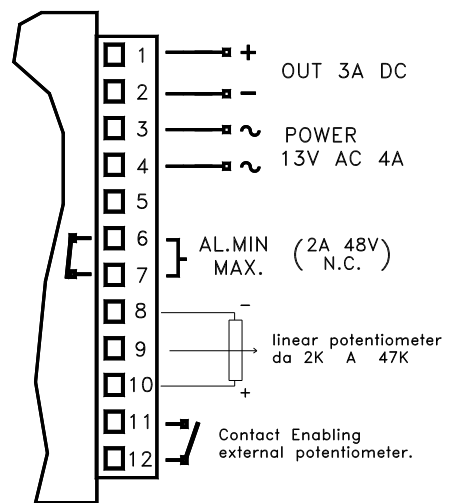


- Power 13V AC 50Hz. Absorption 4Amp.
- Internal fuse 5A.
- Regulated output current from 0 to 3Amp.
Average ripple max. 1%.
- Front potentiometer of the current programming 0 to 3Amp.
- Display two digits with a tenth of a resolution .
- Minimum and Maximum current alarms. Internal relay N.C. 48V 2A
- Protection against short circuit <0.3 ohms and <0.8 V (AL.MAX.).
Maximum output current under AL.MAX. 0.5 Amp
Alarm absorption below the required value (AL.MIN.).
current delivered under AL.MIN. dependent on the value
remaining resistive> to the required value.
- External switch for enabling a remote potentiometer for different uses.
Signaling with LED E.P.
- Input for remote potentiometer with linear value from 2 to 47K ohms.
- Operating temperature -10. +45 ° C.
- Container extraction front.

Control panel from electrical panel, suitable for the realization of single current feeders or with multiple zones for galvanic applications. Complete with alarm out of impedance and short circuit protection.
In addition, for current protection in the event of a short circuit, a current limitation of 0.5A is provided at the same time to the alarm contact.
The final part of this power supply is realized with linear electronics that foresees the use of power transistors, this to guarantee a very low average output ripple within 1%.
Using the front potentiometer it is easy to set the desired current.
The actual usage current is shown on the display with a tenth of resolution.
Thanks to the possibility of frontal extraction of the instrument it is possible to intervene in a simple way for the eventual replacement of the fuse or for routine maintenance.



CONNECTIONS



G.S.E.I. Controlli
Via Renata Bianchi, 69/3 - Genova 16152 Italia
Tel.+39 010-6519085
Fax+39 010-6593605

E_mail info@gseicontrolli.it

Sito web www.gseicontrolli.it

